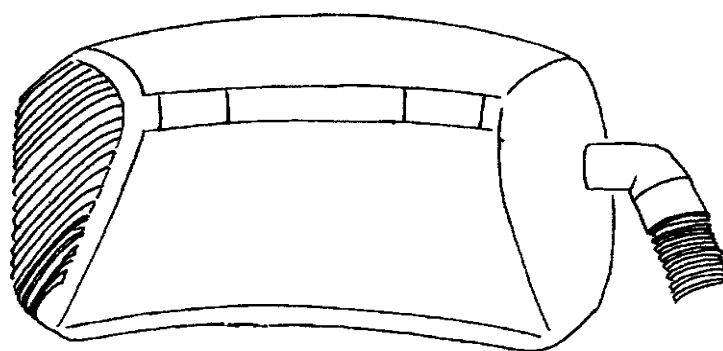


# UZ 964

**Ergoclean, The HipVac™**



**INSTRUCTIONS FOR USE  
MODE D'EMPLOI  
INSTRUCCIONES DE USO**

**WARNING**

HEPA filter must be installed while working with hazardous materials. Failure to do so will expose people in the work area and others to hazardous materials which is a serious health risk.

**EMPTYING**

If this vacuum cleaner is used to collect hazardous material, do not attempt to open or empty its contents without personal protective clothing and respiratory protection

**AVISO**

El filtro HEPA debe ser instalado cuando trabaje con materiales peligrosos. De no hacerlo así expondrá a las personas dentro de su zona de trabajo y a otras ajenas a él a estos materiales peligrosos, lo cual constituye una grave amenaza para la salud.

**VACIADO**

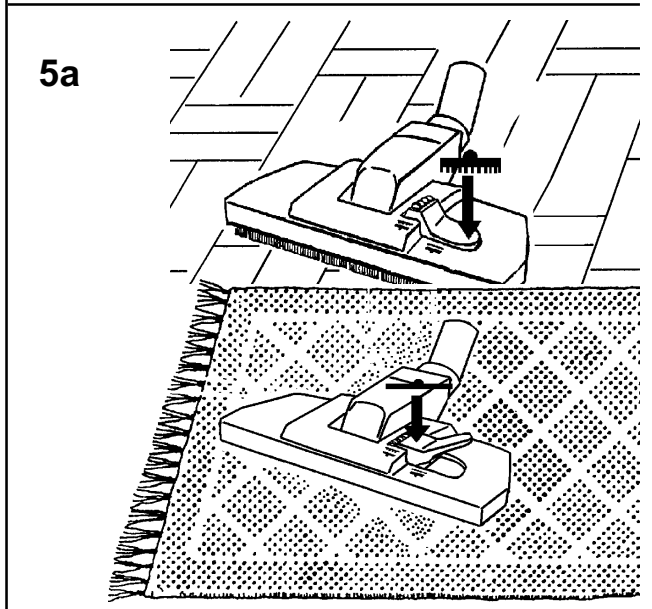
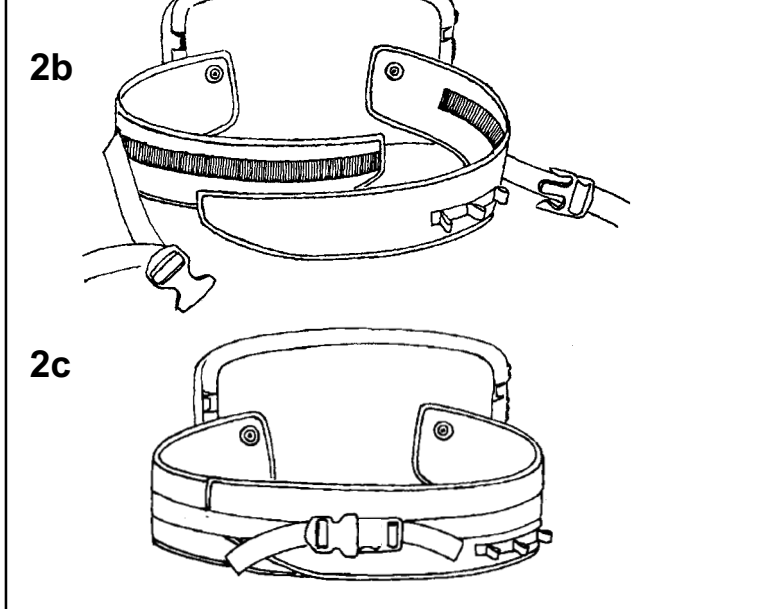
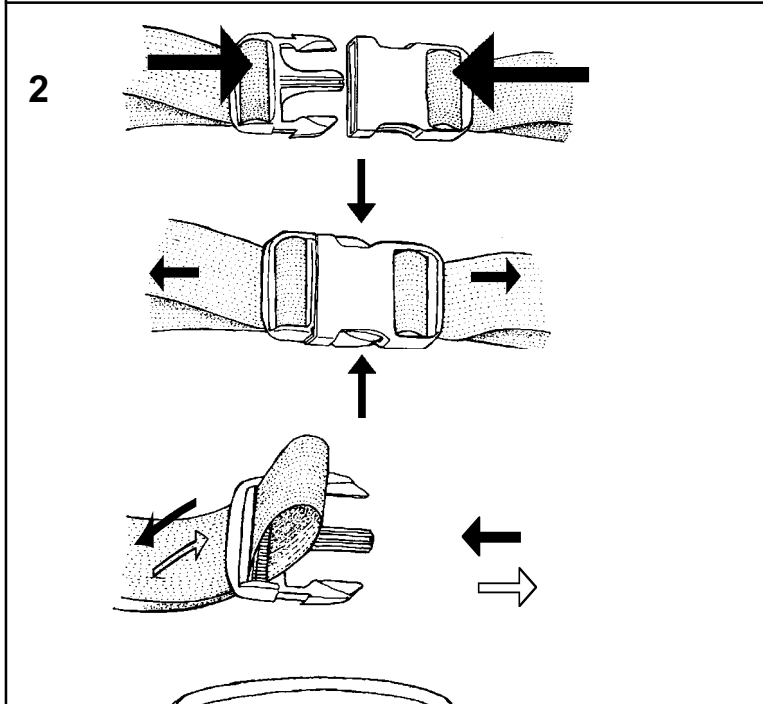
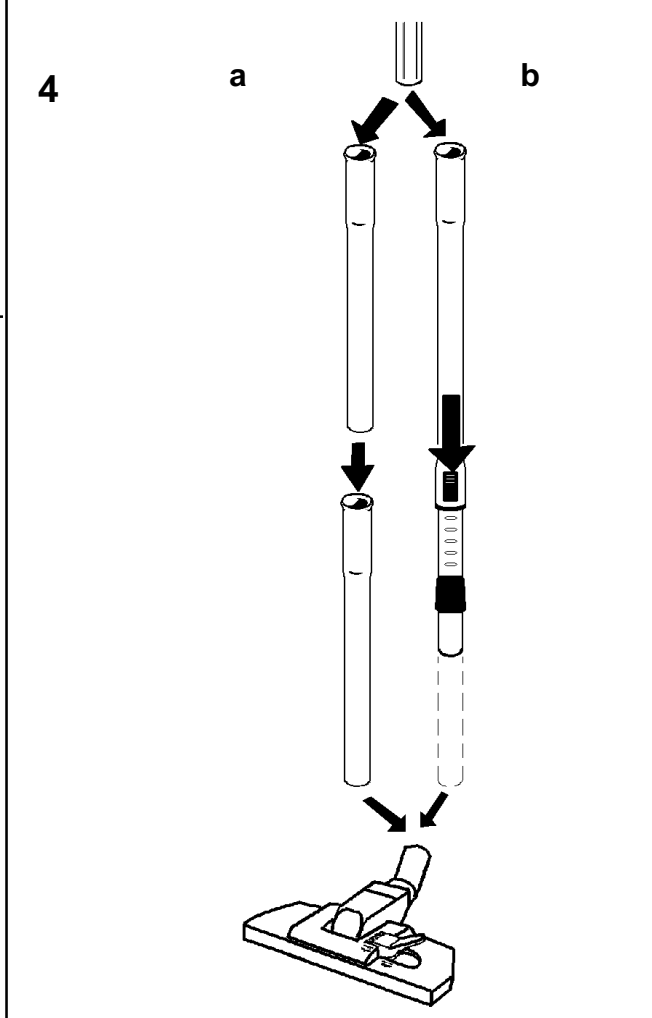
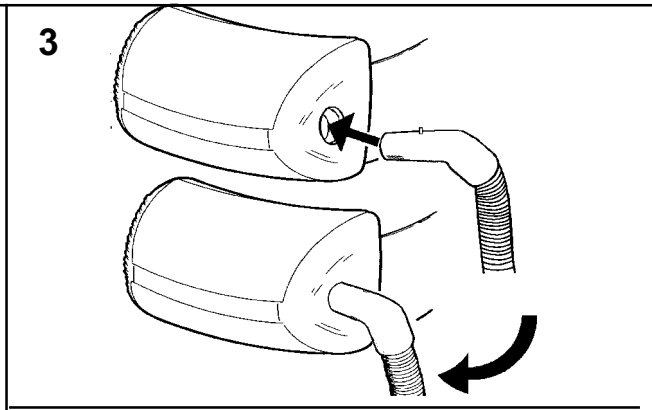
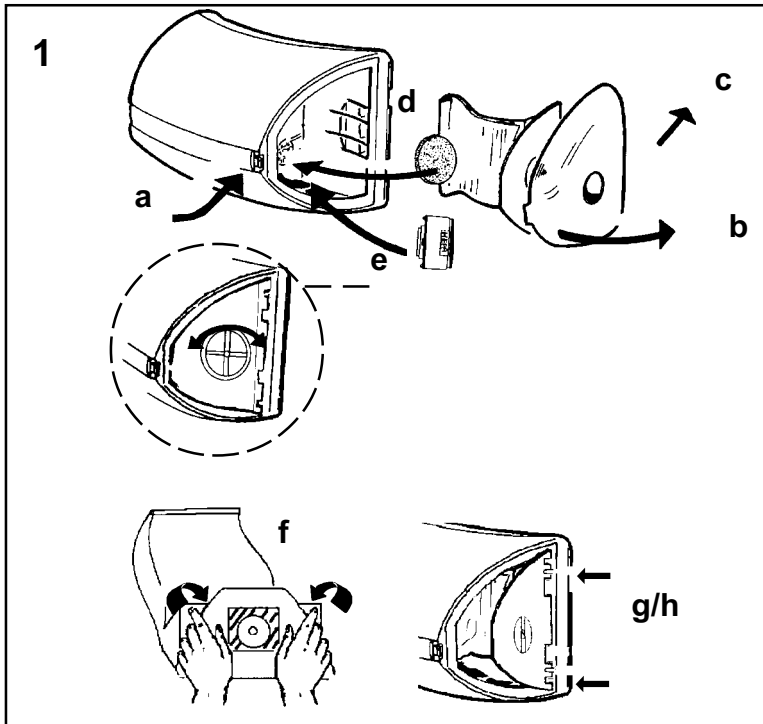
Si se utiliza la aspiradora para recoger materiales peligrosos, no intente abrirla o vaciar su contenido sin la adecuada indumentaria protectora y la protección respiratoria.

**ATTENTION**

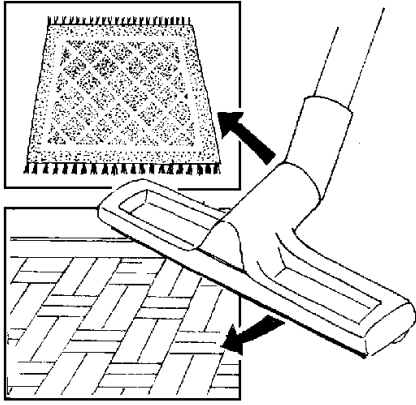
Le filtre Hepa Doit être en place quand on travaille avec des substances dangereuses. Si l'on n'utilise pas le filtre, les personnes se trouvant sur le lieu de travail ou à proximité sont exposées aux substances dangereuses et donc à de graves risques de santé.

**VIDAGE**

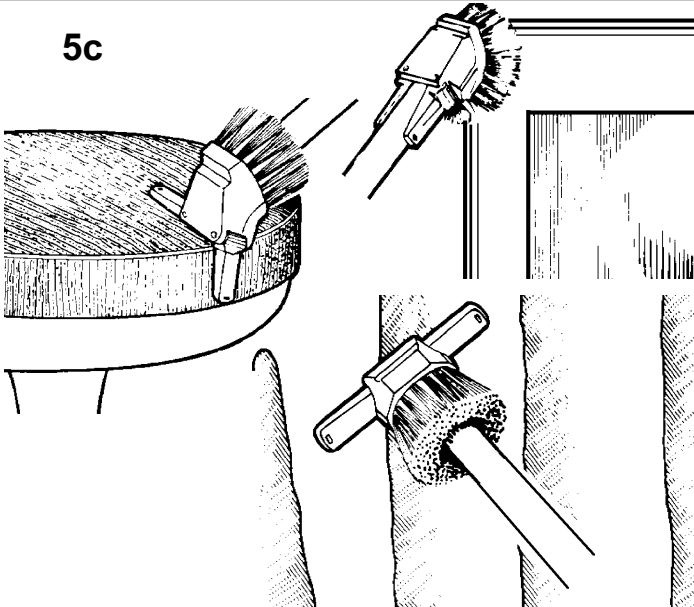
Si cet aspirateur est utilisé pour ramasser des substances dangereuses, ne jamais tenter de l'ouvrir ou de le vider sans porter des vêtements protecteurs et une protection des voies respiratoires.



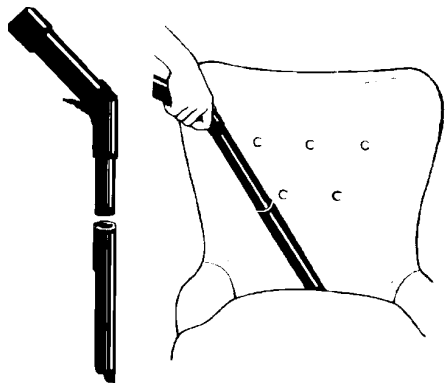
5b



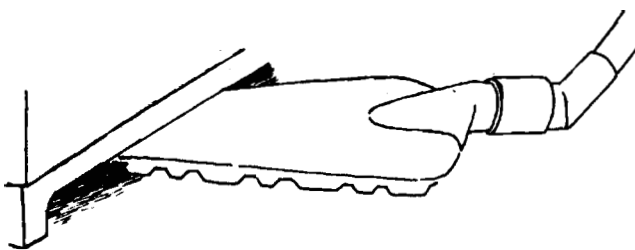
5c



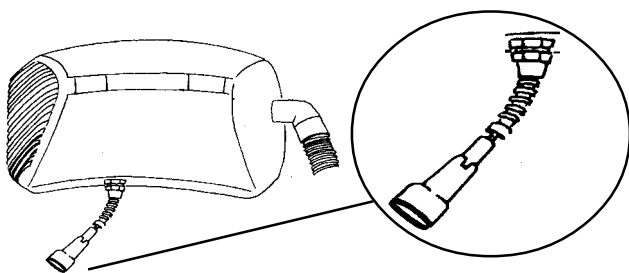
5d



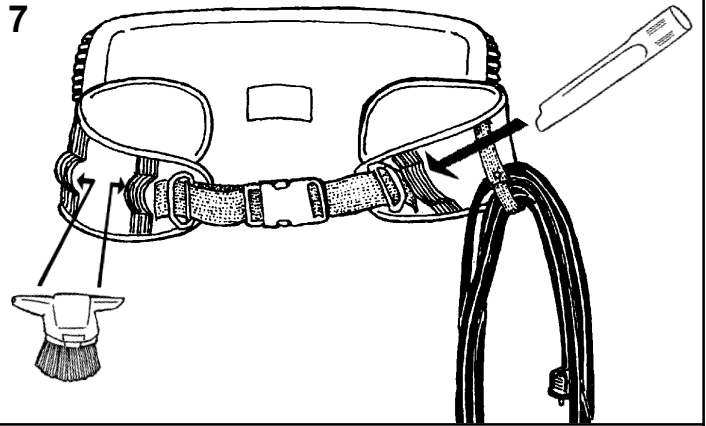
5e



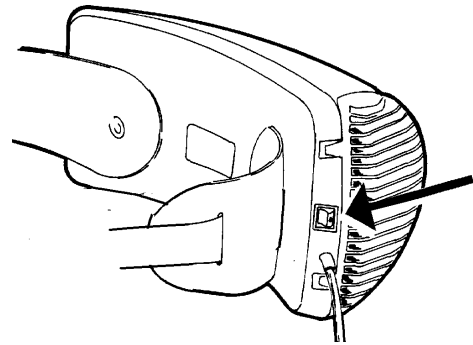
6



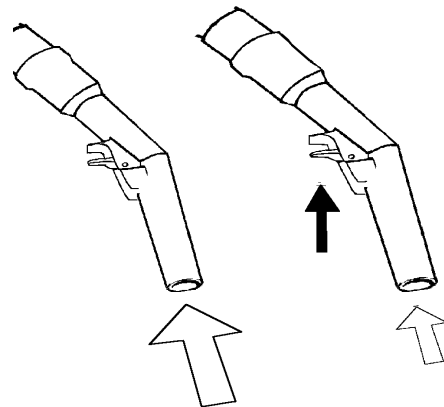
7



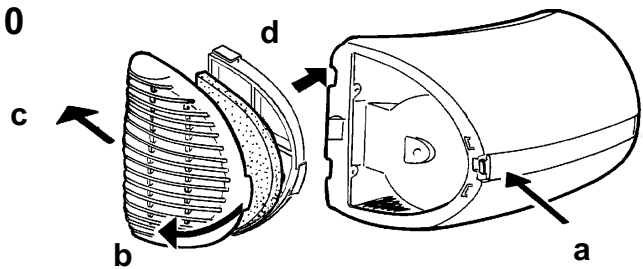
8



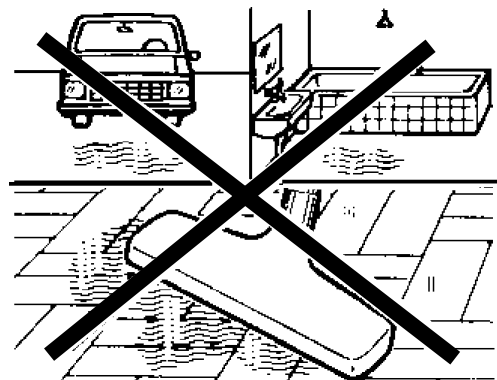
9



10



11



# IMPORTANT SAFEGUARDS

**When using an electrical appliance basic precautions should always be followed, including the following.**

**READ AND FOLLOW ALL SAFETY INSTRUCTIONS BEFORE USING (THIS APPLIANCE)**

## WARNING !

**To reduce the risk of fire, electric shock, or injury. Please read and follow all safety instructions and caution markings before using.**

This vacuum cleaner is designed to be safe when used to perform cleaning functions as specified. Should damage occur to electrical or mechanical parts, cleaner and / or accessory should be repaired by manufacturer or competent service station before using in order to avoid further damage to machine or physical injury to user.

- \* For grounded versions: Connect to a properly grounded outlet only, see grounding instructions.
- \* Do not use outdoors or on wet surfaces.
- \* Disconnect cleaner before servicing and when not in use. Do not leave unattended cleaner plugged in.
- \* Do not use with damaged cord or plug. To unplug grasp the plug, not the cord. Do not handle plug or cleaner with wet hands. Turn off all controls before unplugging.
- \* Do not pull or carry by cord, use cord as a handle, close a door on cord, or pull cord around sharp edges or corners. Do not run cleaner over cord. Keep cord away from heated surfaces.
- \* Keep hair, loose clothing, fingers and all parts of the body away from openings and moving parts. Do not put any objects into openings or use with opening blocked. Keep openings free of dust, lint, hair, and anything else that could reduce air flow.
- \* Do not pick up anything that is burning or smoking, such as cigarettes, matches, or hot ashes.
- \* Do not use to pick up flammable or combustible liquids such as gasoline or use in areas where they may be present.
- \* Do not allow to be used as a toy. Close attention is necessary when used by or near children.

- \* Do not use unless filters and bag are in place.
- \* If cleaner is not working properly or has been dropped, damaged, left outdoors, or dropped into water, return it to a service center or dealer.
- \* Hepa filter must be installed while working with hazardous materials.
- \* All contact with the machine, dustbag, filter and all other accessories used when picking-up hazardous materials should be handled according to the regulations valid for the vacuumed material.
- \* Use only as described in this manual and only with manufacturer's recommended attachments.
- \* The use of this machine in conjunction with the pick-up of hazardous materials has not been investigated by UL.

## GENERAL INFORMATION

This vacuum cleaner can be used for household or commercial use.

**BEFORE YOU PLUG IN YOUR CLEANER**, check the rating plate located on the cleaners back side to see if the rated voltage agrees within 10% of the voltage available.

**DO NOT OIL** The motor in your new cleaner is permanently lubricated and sealed. Do not oil the motor at any time.

During shipping, the dust bag may have become dislodged. Check the bag to insure proper seating before attempting to use the cleaner. Do not operate the cleaner without the dust bag as damage may result to the motor.

This vacuum cleaner is equipped with a thermo protection switch to prevent overheating of components. Should this safety switch shut the system down it is necessary to wait at least 5 -10 minutes for it to automatically reset. Remove clogged elements in hose and replace dust bag if necessary during this period. Check also filter if it is clogged.

For longer service life and safe use of your vacuum cleaner, we recommend the following guidelines: Your cleaner is designed to pick up dirt and dust particles. **It is not designed for water pick up.** Avoid picking up hard or sharp objects with your cleaner to avoid bag breakage, clogging or possible motor damage.

## SAVE THESE INSTRUCTIONS

## Grounding instructions (USA, Canada)

### Applicable to machines with a three-pin plug

This appliance must be grounded. If it should malfunction or breakdown, grounding provides a path of least resistance for electric current to reduce the risk of electric shock. This appliance is equipped with a cord having an equipment-grounding conductor and grounding plug. The plug must be plugged into an appropriate outlet that is properly installed and grounded in accordance with all local codes and ordinances.

## DANGER!

Improper connection of an equipment-grounding conductor can result in risk of electric shock. Check with qualified electrician or service person if you are in doubt as to whether the outlet is properly grounded. Do not modify the plug provided with the appliance. If it will not fit the outlet, have proper outlet installed by a qualified technician.

This appliance is for use on a nominal 120 volt circuit and has a grounding plug that looks like the plug illustrated in Figure A. A temporary adaptor which looks like the adaptor illustrated in Figure B may be used to connect this plug to a two-pole receptacle, as shown, if a properly grounded outlet is not available. The temporary adaptor should be used only until a properly grounded outlet, Figure A, can be installed by a qualified electrician. The green colored rigid ear, lug, or the like extending from the adaptor must be connected to a permanent ground such as a properly grounded outlet box cover. Whenever the adaptor is used, it must be held in place by a metal screw.

**NOTE! This temporary adaptor is not permitted in Canada**

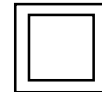
## Servicing of double-insulated appliances

### Applicable to machines with a two-pin plug

In a double-insulated appliance, two systems of insulation are provided instead of grounding. No grounding means is provided on a double-insulated appliance, nor should a means for grounding be added to the appliance. Servicing a double-insulated appliance requires extreme care and knowledge of the system, and should be done only by qualified service personnel. Replacement parts for a double-insulated appliance must be identical to the parts they replace. A double insulated appliance is marked with the words

**"DOUBLE INSULATION" or  
"DOUBLE INSULATED."**

The symbol (square within a square) may also be used on the product.



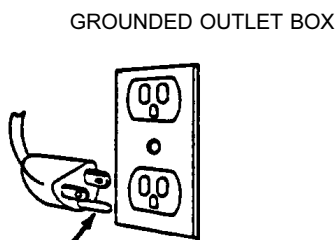
## SERVICE INFORMATION

To obtain consistent performance over the life of your vacuum, read through these instructions and keep them handy for future reference. If you require service, contact the dealer from whom the vacuum was purchased, or the local authorized Service Station. Always refer to your Service Station for complete service information. For prompt and complete service information, always refer to the model, type and serial number indicated on the rating plate.

## IMPORTANT

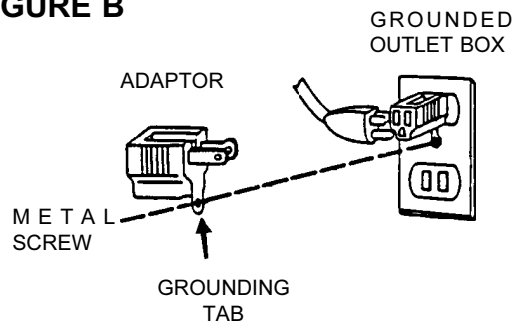
If the supply cord of this appliance is damaged, it must be replaced by a repair shop appointed by the manufacturer as special purpose tools are required.

FIGURE A



GROUNDING BLADE IS LONGEST OF THE THREE BLADES

FIGURE B



## 1. Dust bag installation

- a) Open the triangular shaped dust bag cover by gently pressing one end of the locking bar to release the locking mechanism.
  - b) Grasp the cover in your hand, lifting the upper corners of the cover away from the vacuum housing.
  - c) Slide the bottom edge of the cover away so the hinges on the cover slip out of the housing.
  - d) Inside the dust bag cavity a round foam filter helps to protect the motor. Be sure this filter is in place prior to installation of the dust bag.
  - e) Always use a Hepa-filter when picking up hazardous material. Remove the standard motor filter if fitted, then fit the Hepa-filter and turn to lock it in place. Then install the dustbag.
  - f) Gently unfold the new dust bag. The upper corner of the dust bag should be slid in so they do not interfere with the cardboard plate resting securely on the housing.
  - g) Ease the dust bag into the cavity, placing the cardboard plate onto the exterior lip of the cavity, make sure that the cardboard plate is fitted behind the two small clips on the exterior lip.
- NOTE:** The triangular shaped cardboard plate must be placed evenly on the exterior housing lips in order for the dust bag cover to be properly installed.
- h) Replace the dust bag/hose inlet cover. First grasp the cover in your hand, and insert the lower cover hinges into the indentations. Be sure the dust bag cardboard plate is resting evenly on the lips of the cavity. Close the cover, and make certain it clicks into place.

## 2. Belt

The belt locking clip is designed to hold the "hip vac" securely around your waist while working.

To connect: Simply insert the toothed connector into the belt buckle until it snaps into place.

To disconnect the belt when work is finished, gently squeeze the outer clips together, and pull connector out of belt buckle.

### To adjust the belt for individual comfort:

**Larger:** Hold the belt locking clip in one hand and slide the nylon belt until a loop is formed. Pull the belt locking clip to adjust the slack in the nylon belt.

**Smaller:** Pull the loose end of the nylon belt until adjusted to desired size.

### Soft Belt

**2b)** Wrap the belt around your waist. Adjust it to the desired size, by fitting the two nylon parts together.

**2c)** Then you'll insert the toothed connector into the belt buckle until it snaps into place. To disconnect the belt when work is finished, gently squeeze the outer clips together, and pull connector out of belt buckle.

## 3. Hose connection

Fit the hook on the hose adapter in the recess in the hose opening on the machine. Press and turn about one half-turn to ensure a secure fit.

## 4. Wand assembly

- a) To connect the wand sections together, simply insert one section into the other, giving the two assembled sections a firm push.
- b) Adjust the length of the telescopic wand by pressing its button and altering the wand length. When vacuuming stairs it is recommended that the wand is adjusted to its shortest length.

## 5. Tools

*The accessories shown in the pictures may vary from model to model.*

- a) **Floor nozzle**, one way for brush (hard floor) or smooth for carpet.
- b) **Universal nozzle** for both hard floors and carpets
- c) **Combi Brush / Nozzle** useful tool for the cleaning of upholstery, stair carpets, curtains etc.
- d) **Crevice Tool** designed for cleaning in narrow spaces like furniture, radiators, corners and joints.
- e) **Paddle Nozzle** designed for cleaning beneath furnitures and wide area cleaning

## 6. Power supply

For electrical power head. Only on some variants.

## 7. Accessory loops

The belt is equipped with loops to conveniently hold the vacuum's accessories. In addition, the power cord can be held in place on the belt by snapping the nylon loop around it. Wind up the cord starting at the machine.

## 8. Start Stop

Convenient finger-tip on / off button

## 9. Suction control lever

## 10. Exhaust filter

The exhaust cover is easily removed for filter changes

- a) Grasp the cover in your hand.
- b) Release the locking mechanism by gently pressing down on one end of the locking bar.
- c) Ease the upper corner away from the vacuum housing.
- d) Slide the bottom edge of the cover away so the hinges on the bottom edge of the cover slip out of the housing.
- e) Remove filter holder and used filter.
- f) Install new filter and secure with the filter holder.
- g) Reinstall exhaust cover as in "**Dust Bag installation**"

## 11. Warning

Do not use the vacuum cleaner to pick up water. Wet surfaces can expose the operator to possible electrical shock.